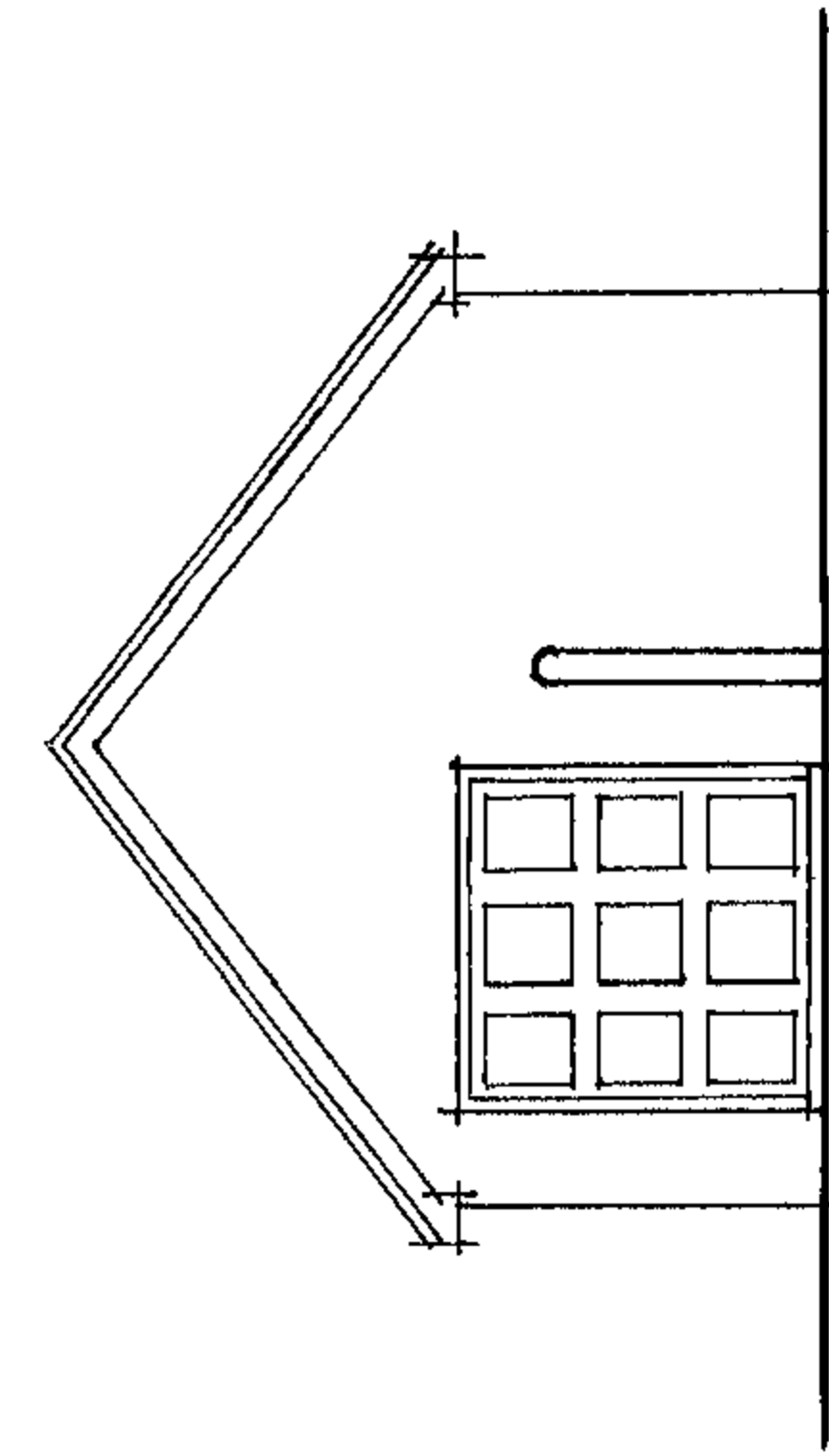
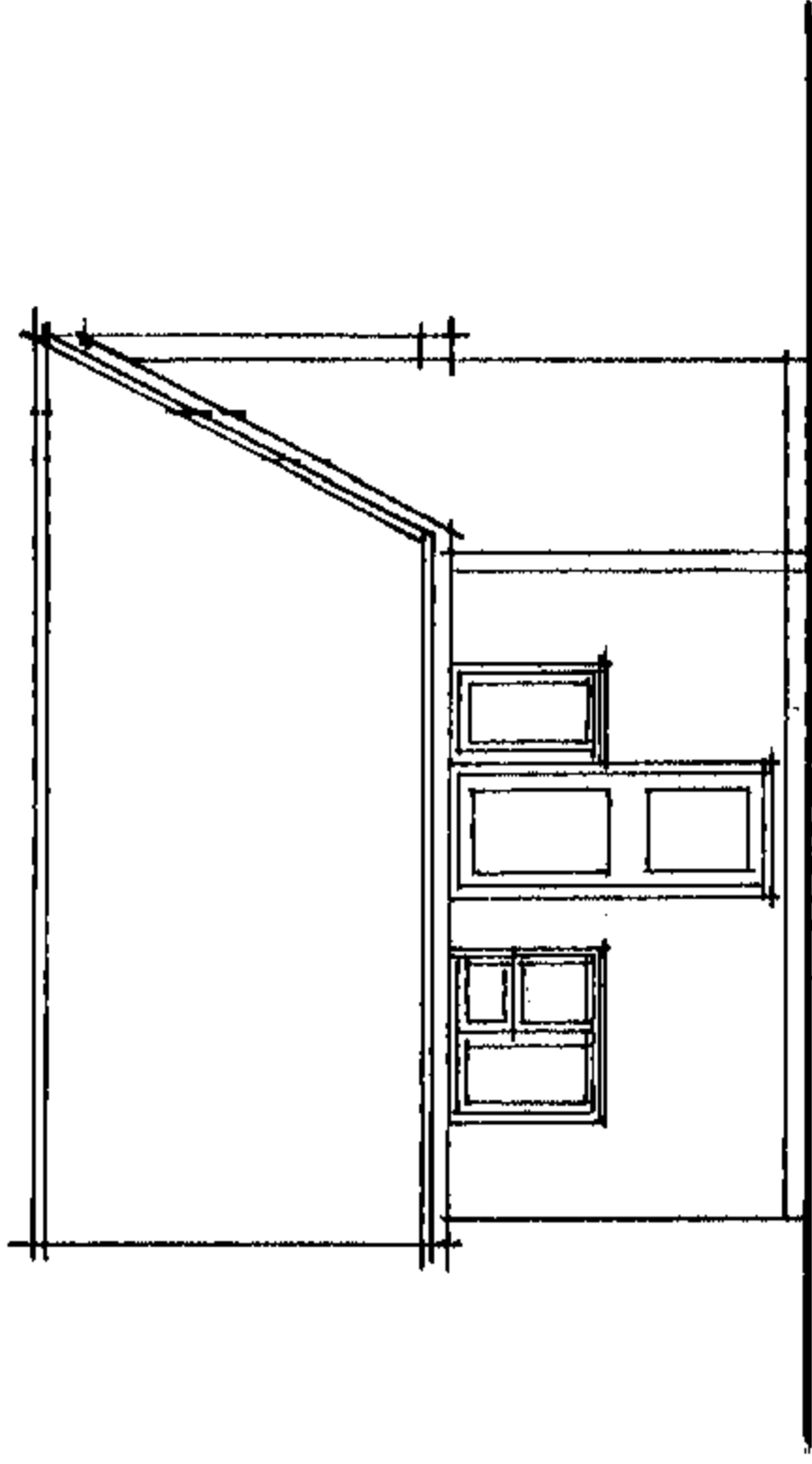


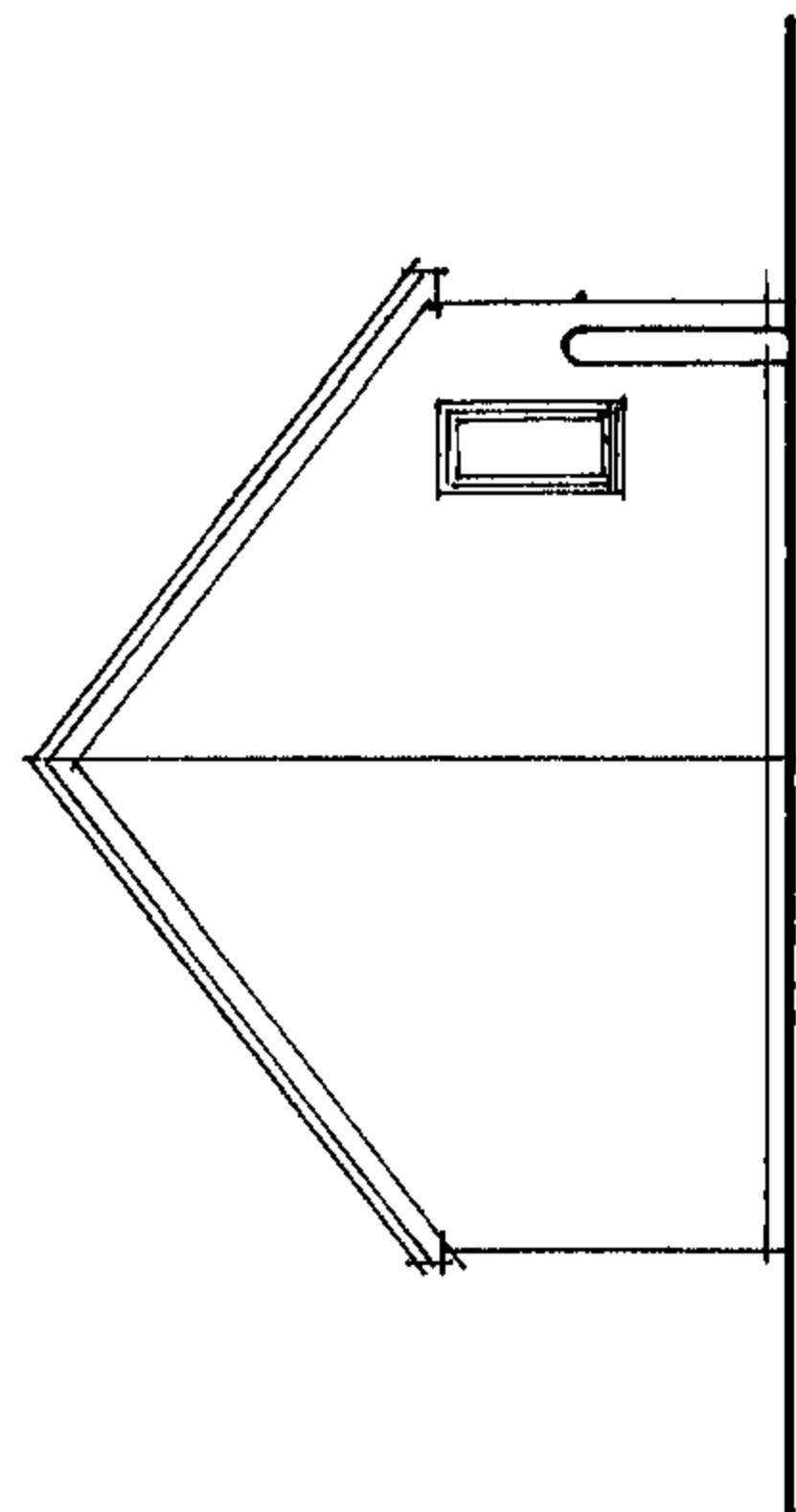
west



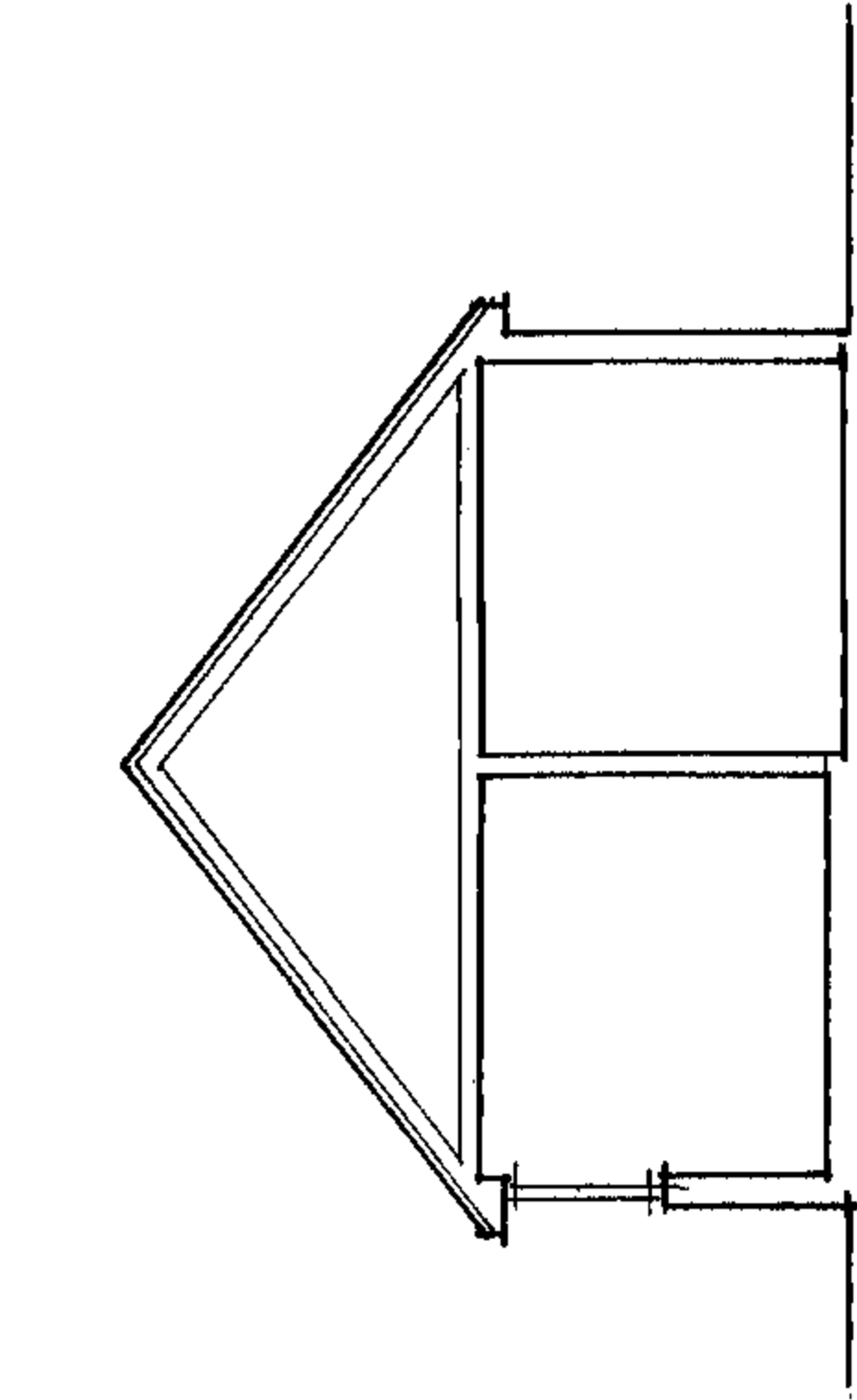
south



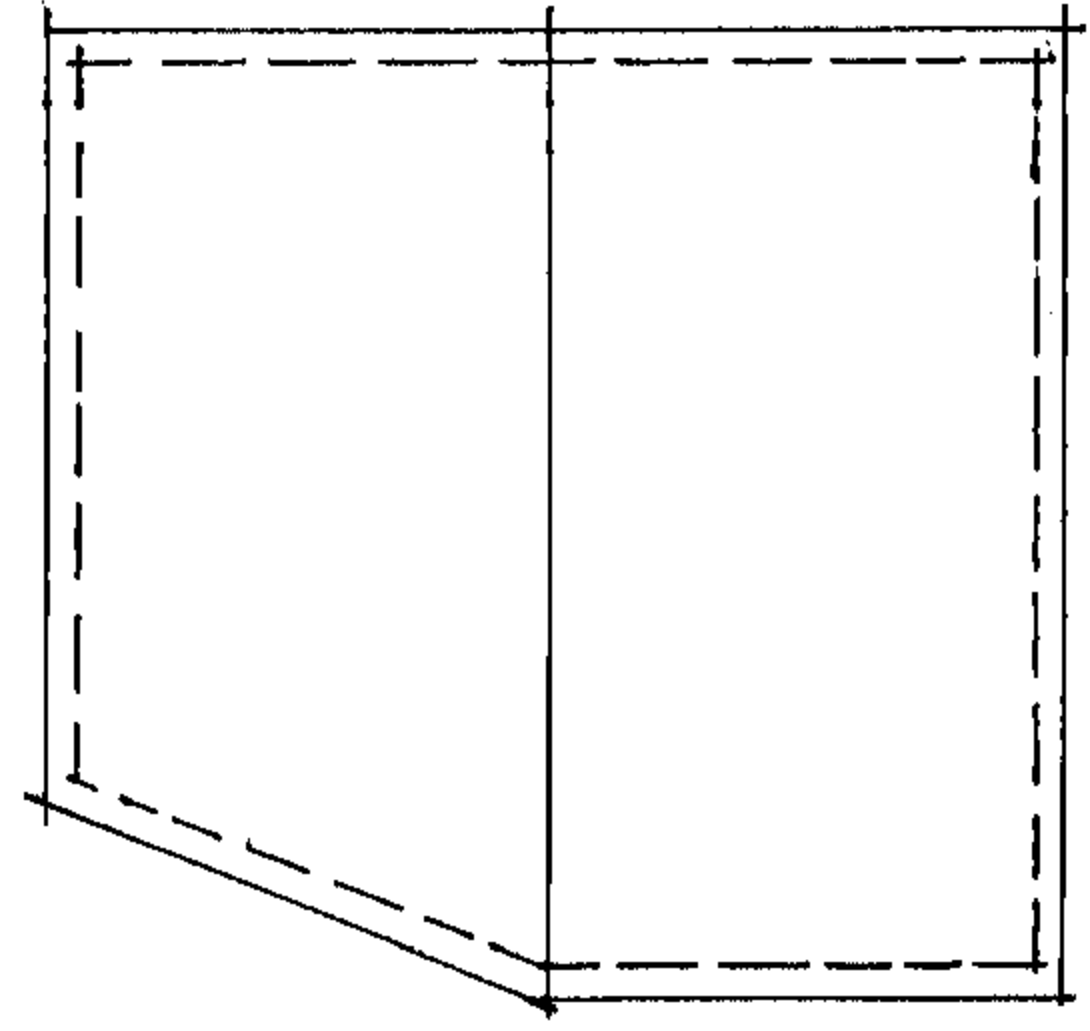
east



north
existing elevations 1/100



section A-A 1/100



existing roof plan 1/100